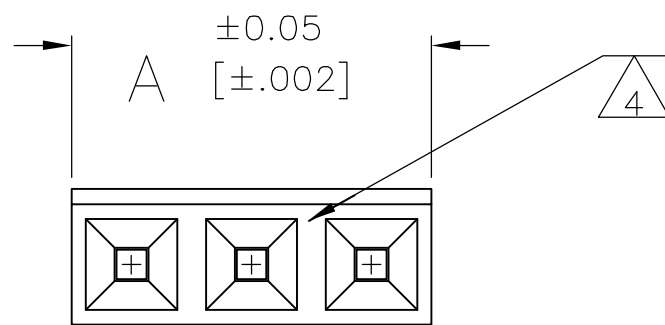
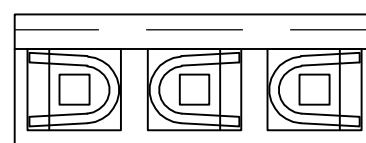
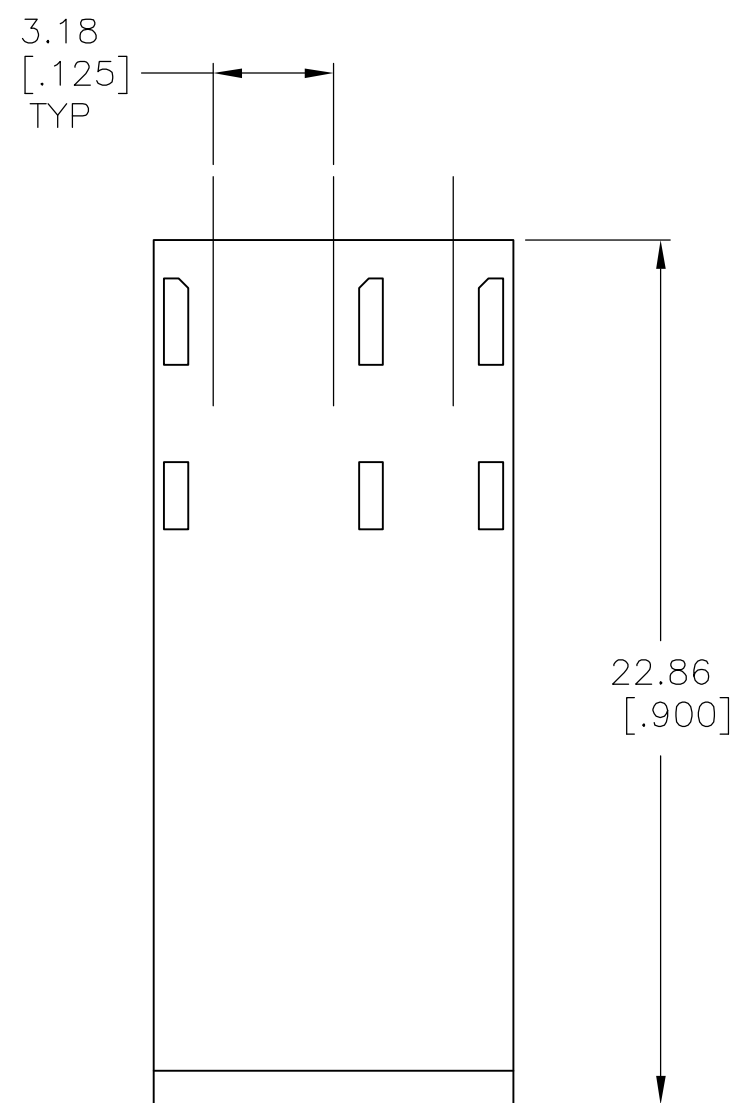
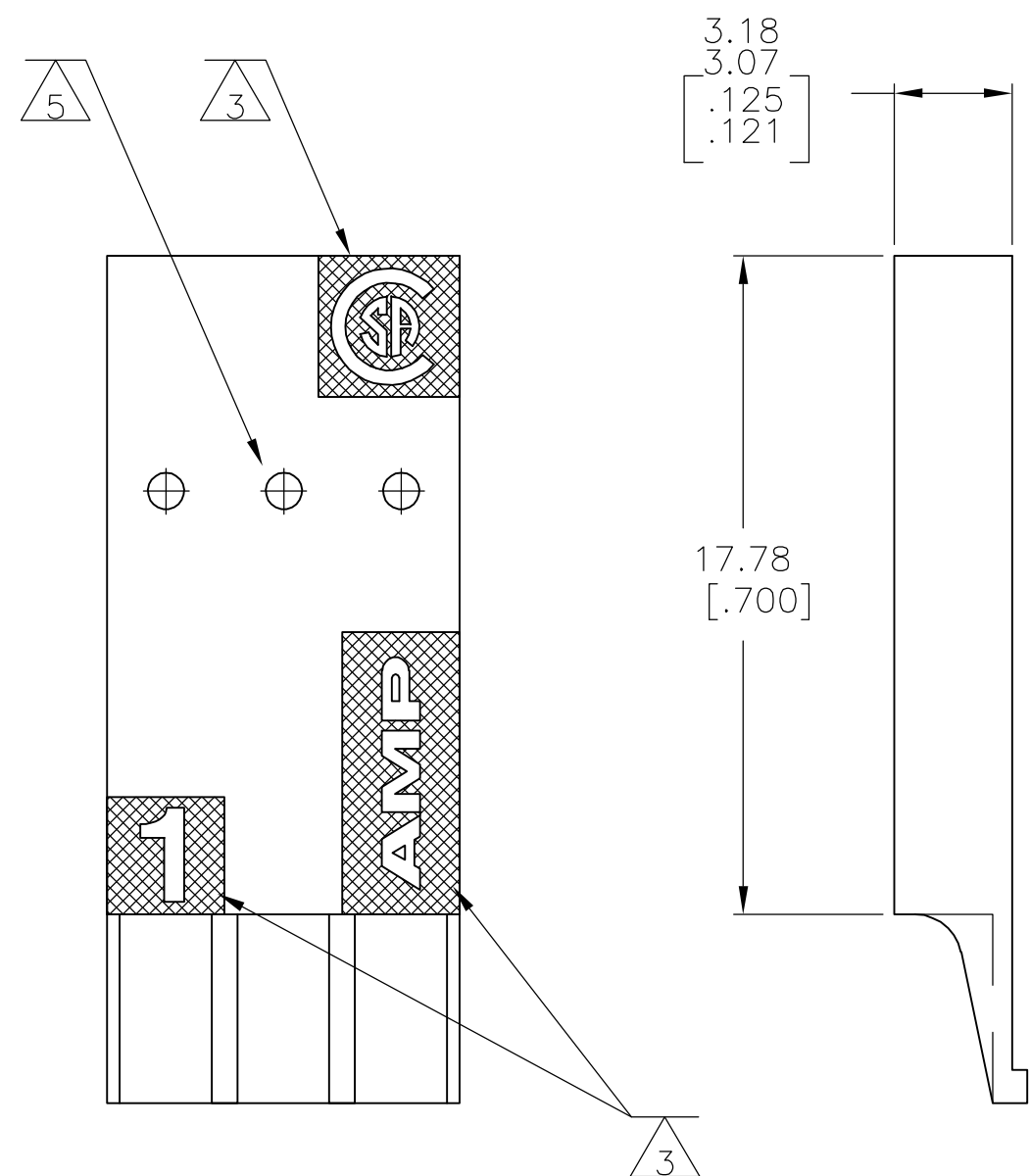


THIS DRAWING IS UNPUBLISHED. RELEASED FOR PUBLICATION
 © COPYRIGHT BY TYCO ELECTRONICS CORPORATION. ALL RIGHTS RESERVED.

LOC	DIST	REVISIONS			
P	LTR	DESCRIPTION	DATE	DWN	APVD
AD	00	D1	REVISED PER ECO-06-005256	8SEP06	GS EN



- THREE POSITION AS SHOWN, SEE TABLE FOR TWO POSITION DIMENSIONS.
- HOUSING WILL ACCEPT LOCKING CLIP .025 SQR. CONTACTS.
- CHARACTERS MOLDED IN TEXTURED AREA, AREA RAISED .0003-.0007.
- MOLD GATE AREA, RECESSED.
- OPTIONAL, AT MOLDERS DISCRETION. FLASH PERMISSIBLE.



CONTACTS SHOWN FOR ORIENTATION REF. ONLY

9.47 [.373]	3	104905-2
6.30 [.248]	2	104905-1
A	NO OF POSN.	PART NUMBER

THIS DRAWING IS A CONTROLLED DOCUMENT.		DWN S. SHUEY 11APR94	Tyco Electronics Corporation Harrisburg, Pa 17105-3608	
DIMENSIONS: mm [INCHES]		CHK S. SHUEY 11APR94	Tyco Electronics Corporation	
TOLERANCES UNLESS OTHERWISE SPECIFIED:		APVD D. DUPLER 11APR94	HOUSING, 3.17[.125] CL, LOCKING CLIP	
0 PLC ± -		PRODUCT SPEC 108-36028	SIZE A2	CAGE CODE 00779
1 PLC ± -		APPLICATION SPEC 114-25006	DRAWING NO C=104905	RESTRICTED TO -
2 PLC ± 0.13[.005]		WEIGHT -	SCALE 5:1	SHEET 1 OF 1
3 PLC ± -		CUSTOMER DRAWING	REV D1	
4 PLC ± -				
ANGLES ± -				
FINISH -				
MATERIAL GLASS FILLED POLYESTER COLOR-GRAY				